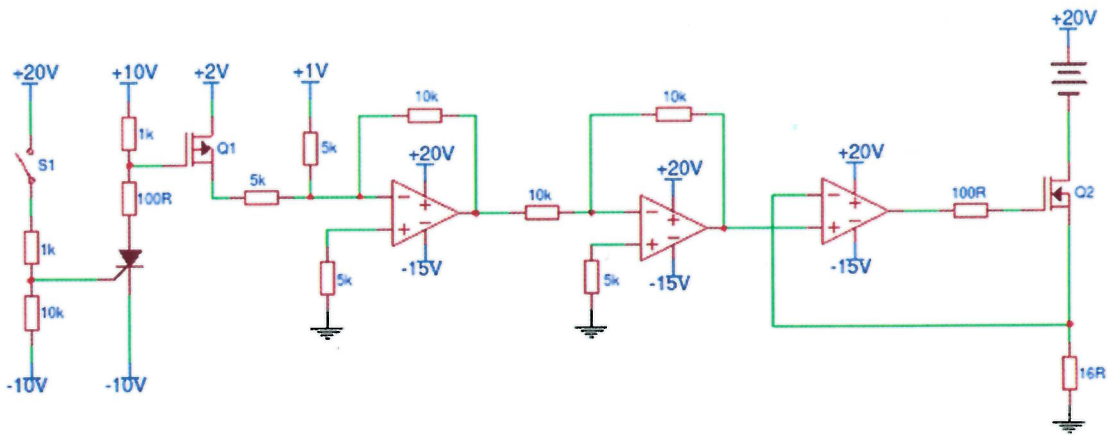


## 6 Circuit Analysis



- At what rate (current) will the batteries commence charging when all supplies are initially turned on?
- What will the current be when S 1 is closed after the circuit is switched on?
- What will the current be when S 1 is subsequently opened?
- What type of device is Q1?
- What type of device is Q2?
- What is the device with a 100Ω resistor connected to its anode?