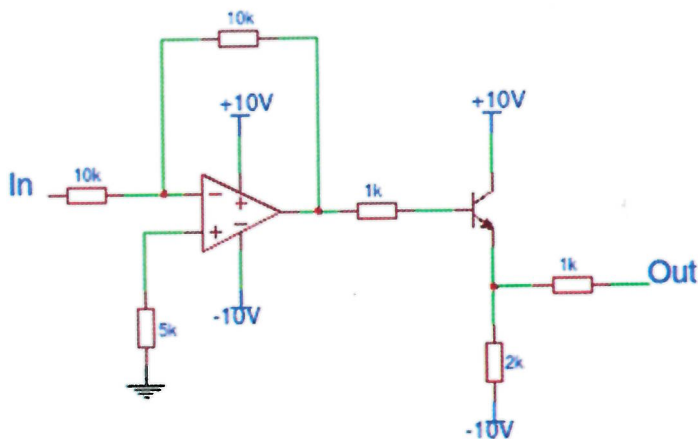


9 Circuit Analysis



- What voltage will appear on the output if negative 3 volts is applied to the input? Give your answer to the nearest 100mV
- What is the input impedance of this circuit?
- What is the output impedance of this circuit?
- What is the purpose of the 5KΩ resistor connected to the positive input of the amplifier?
- What is the transistor's collector current with no load on the output and -3 Volts on the input?
- If the +10 Volt supply rises to +15V, what will the collector current be?
- With positive 3 volts applied to the input, what will the voltage be on the negative input of the operational amplifier with respect to ground?